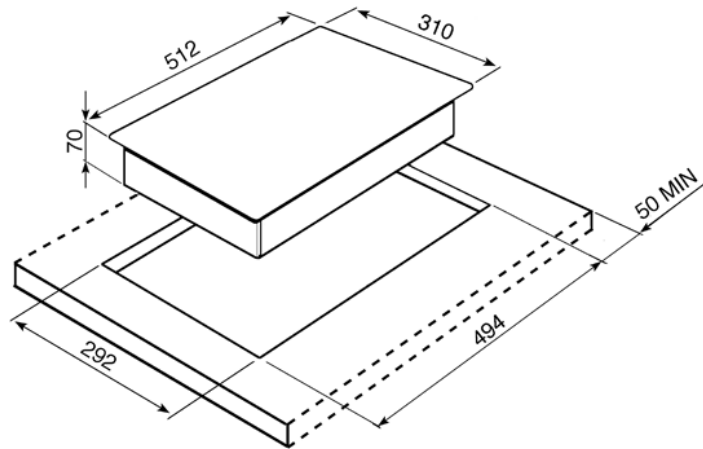


30CM "Modular" Ultra-low Profile Domino
Induction Ceramic Hob, St/steel
EAN13: 8017709138042



• 2 High-Light zones • Front: 1 x Ø 140mm (1.8 kW) • Rear: 1 x Ø 210mm, (2.5 kW) • 2 Residual heat indicators • St/steel ultra-low profile base • St/steel knobs • Nominal power: 3.0 kW • 13 Amp power supply required

Options

- LGPGF - Connecting strip