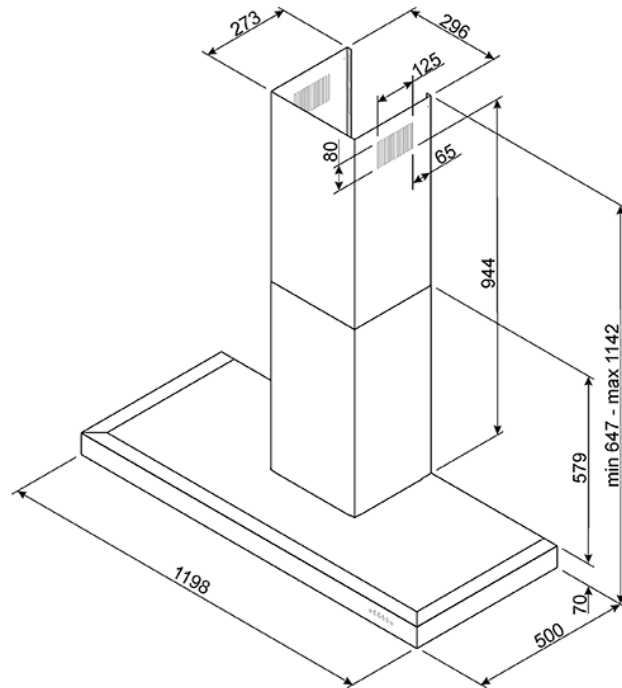


120CM Chimney hood,
Stainless steel
EAN13: 8017709099657



• **Controls** • Control setting: Electronic buttons • **Programs / Functions** • No. of speeds: 4 • Time-setting options: Automatic switch-off • **Technical Features** • No. of lights: 4 • Light type: Halogen • Light Power: 20 W • Motor power: 250 W • No. of filters: 4 • Vent outlet: 150 mm • Non return valve •

Speed	I	II	III	IV	Intensive
Extraction rate (IEC 61591) [m ³ /h]:	90	225	365	480	-
Noise level (IEC 60704-2-13) [dB(A)]:	51	57	65	71	

• **Electrical Connection** • Electrical connection rating: 250 W • Voltage: 220-240 V • Frequency (Hz): 50 Hz

Options

- FLT4 - Kit filtri carboni attivi • IMB120 - Motor intake 120mm with valve return